

# I/O Board pn 7535P v3 **PNP**

- Opto Isolation
- Opto22 type 50-pin Connector
- DB25, IDC26 & IDC50 for controller
- PNP Sourcing type Inputs and Outputs
- 12-30VDC I/O
- 2Amp per Output
- Screw Terminals

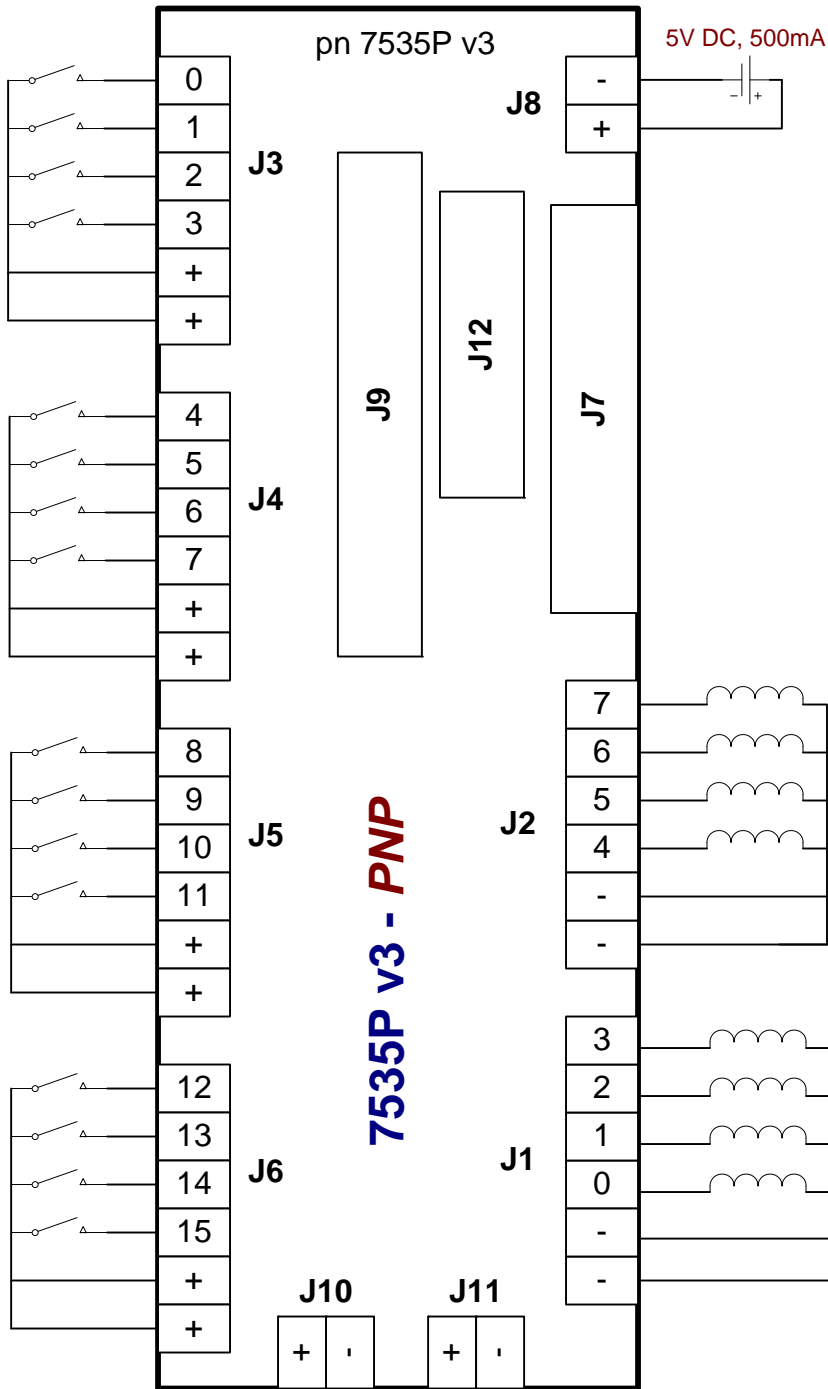
## VITAL Systems Inc

21630 N. 19<sup>th</sup> Ave Suite B8

Phoenix AZ 85027 USA

sales@VSI99.com

www.VSI99.com



**J10 Input Power**  
(12-30VDC)

**J11 Output Power**  
(12-30VDC)

### J8 TTL Power:

Logic 5volts Power Connection. Shares Common ground with the controller. Connect to 5 Volts power from controller or external power supply. If using J12, the 5v power is already supplied, so J8 should be left unconnected.

### J7, J9, J12:

Connection to controller.

### J3, J4, J5, J6 Inputs:

Optically isolated from the controller. Input voltage range 12 to 30 Volts DC. Inputs are active high, i.e., apply positive to the input terminals. Power is taken from J10.

### J1, J2 Outputs:

Optically isolated from the controller. Switches DC load up to 2Amps at 12 to 30 Volts DC each. 7535P switches the positive (hot) side. Power is taken from J11.