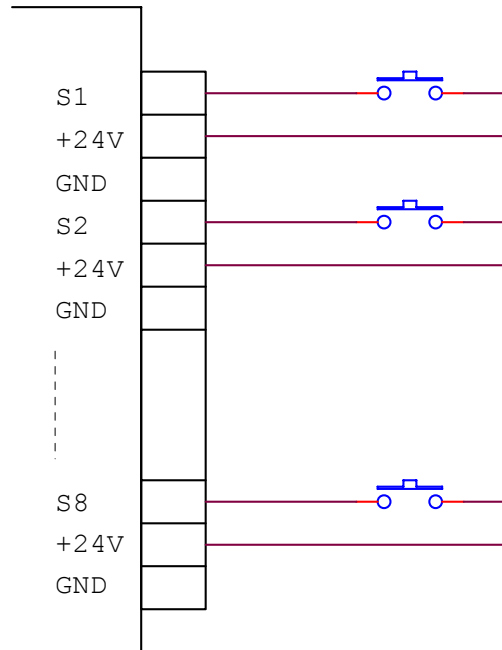
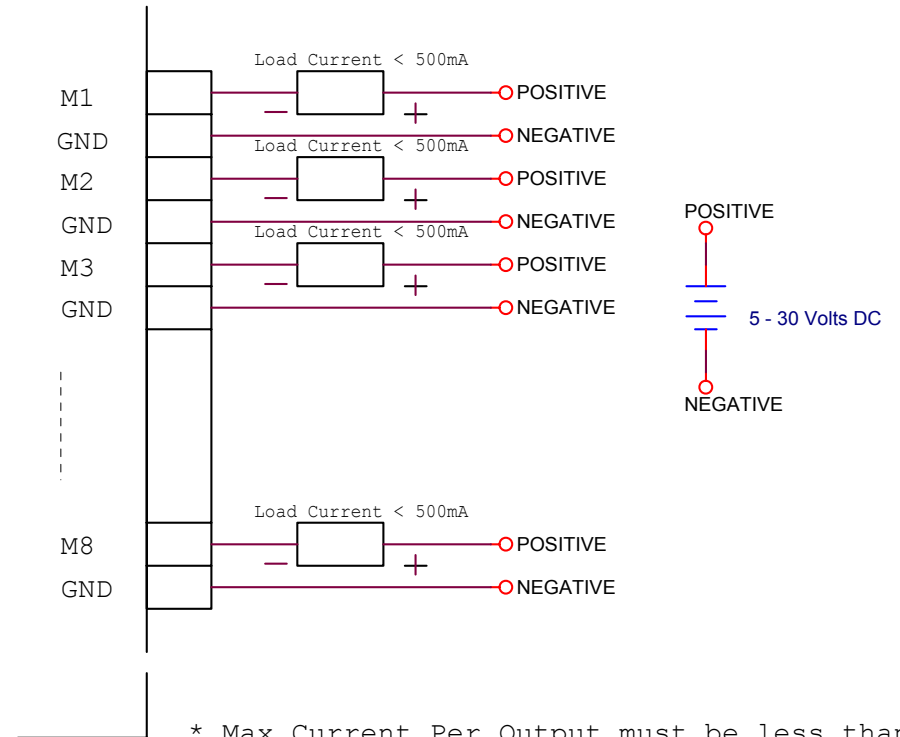


INPUTS



* +24V line is powered internally from the module input power with a resettable 1.25 Amp fuse. A single fuse powers all 8 lines.

OUTPUTS



* Max Current Per Output must be less than 500 mA
* Open Collector Outputs

Super-I/O (pn 5503) Wiring Details

VITAL Systems Inc.
21640 N. 19th Ave. Ste C6
Phoenix AZ 85027 USA
(623) 434-6621

Title		
I/O Connection For Super-I/O pn 5503		
Size	Document Number	Rev
A	5503-030902-021	A
Date:	Sheet	1 of 1