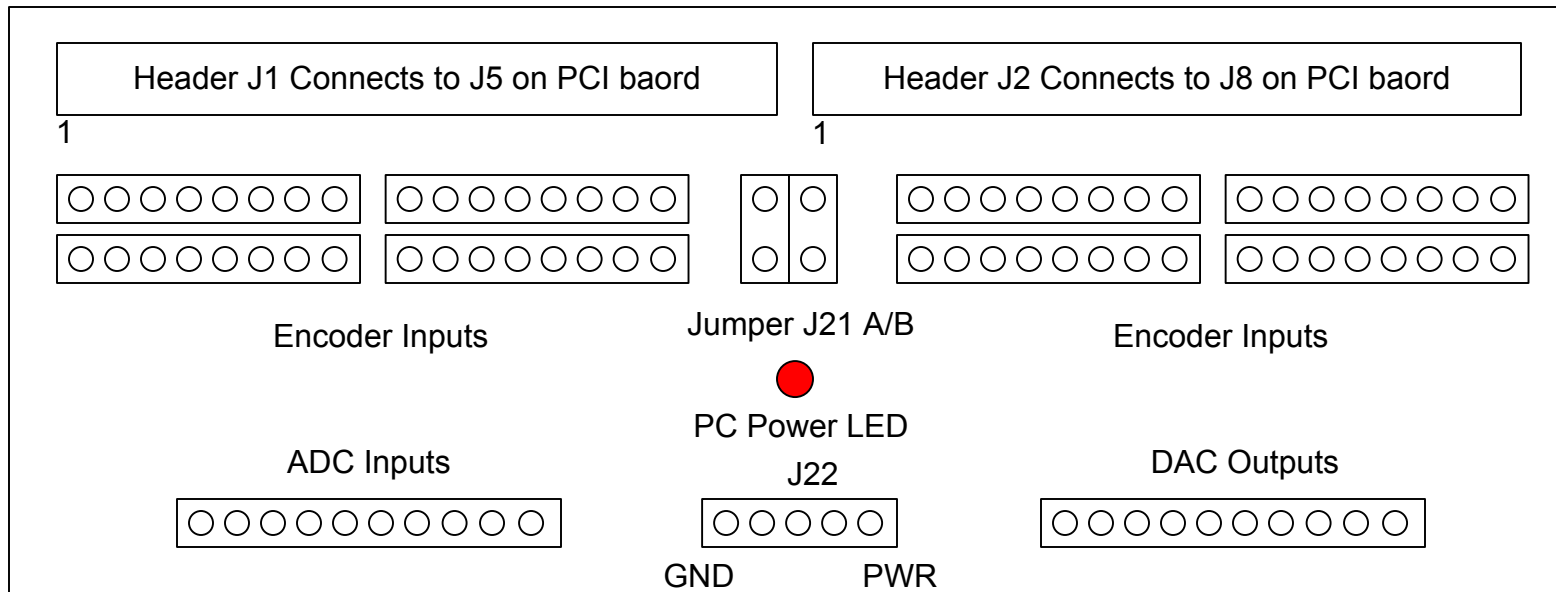


# ENC-TERM Wiring Details

VITAL SYSTEMS INC  
ENCTERM  
PCI MOTENC ENC/DAC/ADC  
Breakout Board



### Notes:

Install J21 A & B if you need to power all eight encoders from the PC 5 Volts. If the total current requirements of encoders is above 500 mA, an external power supply must be used to power the encoders.

All GND terminals on the board are common and are tied to the PC ground wire.

To power the encoders externally, REMOVE Jumper J21 A & B, and connect the external supply plus and minus to PWR and GND terminals of J22 respectively. The external power supply can be up to 12 Volts for powering the encoders.

The LED D1 shows the PC power status.