

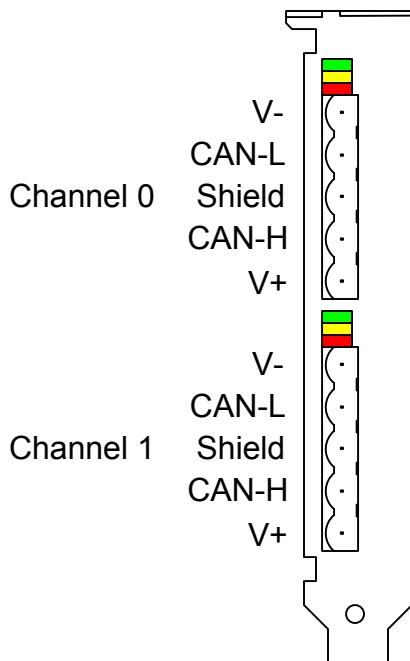
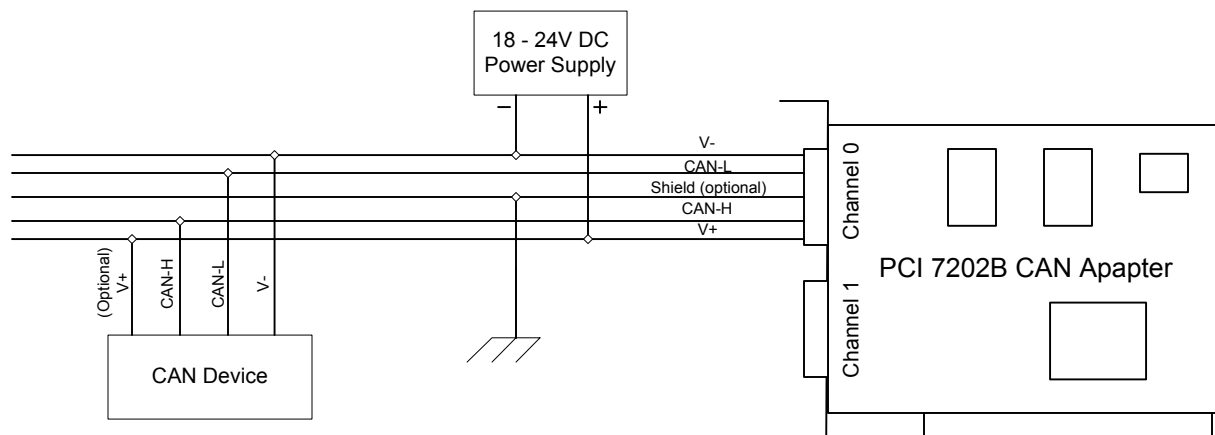
PCI7202B Installation

CAN Channels are powered externally by an 18 to 24V DC power supply. The current requirement is 60 milli-amp per channel.

Same power-supply can be used to power all channels.

Each Channel is optically isolated from the internal PC circuits.

Channels are numbered starting from 0. The top connector is channel 0. Generally, when multiple cards are installed, numbering starts from the card closest to the CPU, however, this is not applicable for all PCs.



LEDs
 Green: Bus Power
 Yellow: Message Transmit & Receive Activity
 Red: Network/Bus Error