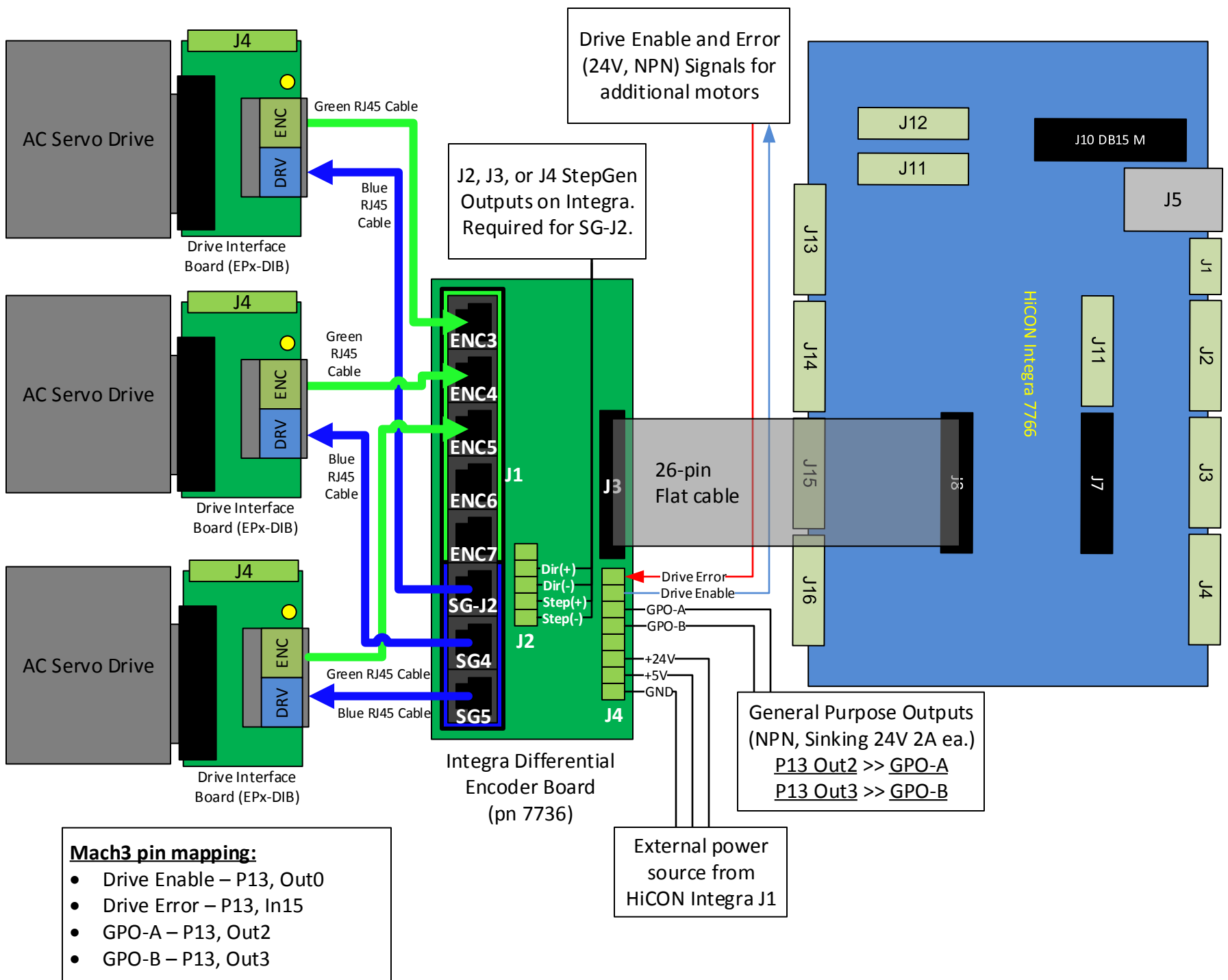


## Setup Diagram for 7736 Board and HiCON Integra



## Wiring Diagram for RJ45 Ports (Encoder and Step/Dir Channels) on 7736 Board

### Integra Encoder and StepGen Board (pn7736)

